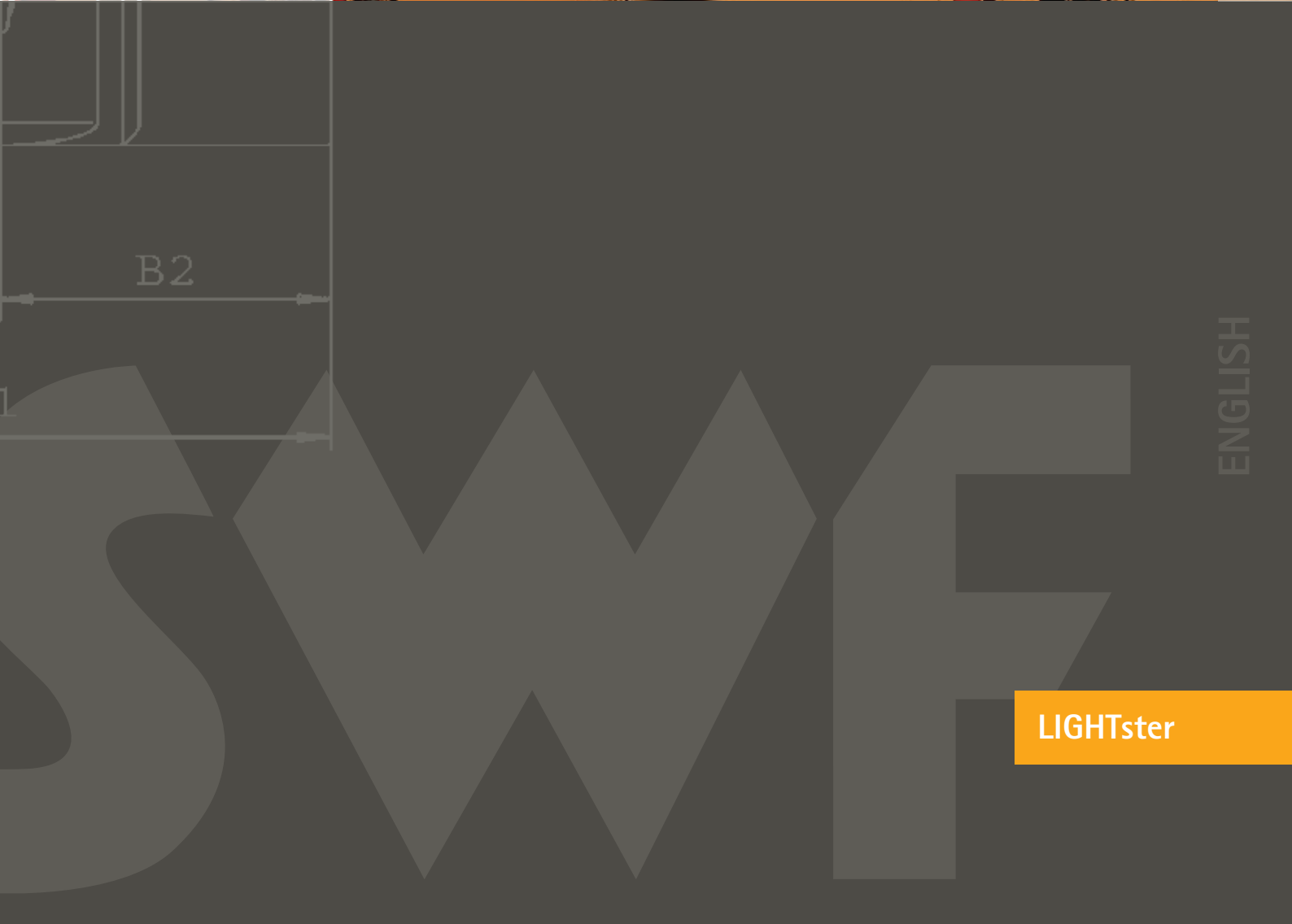


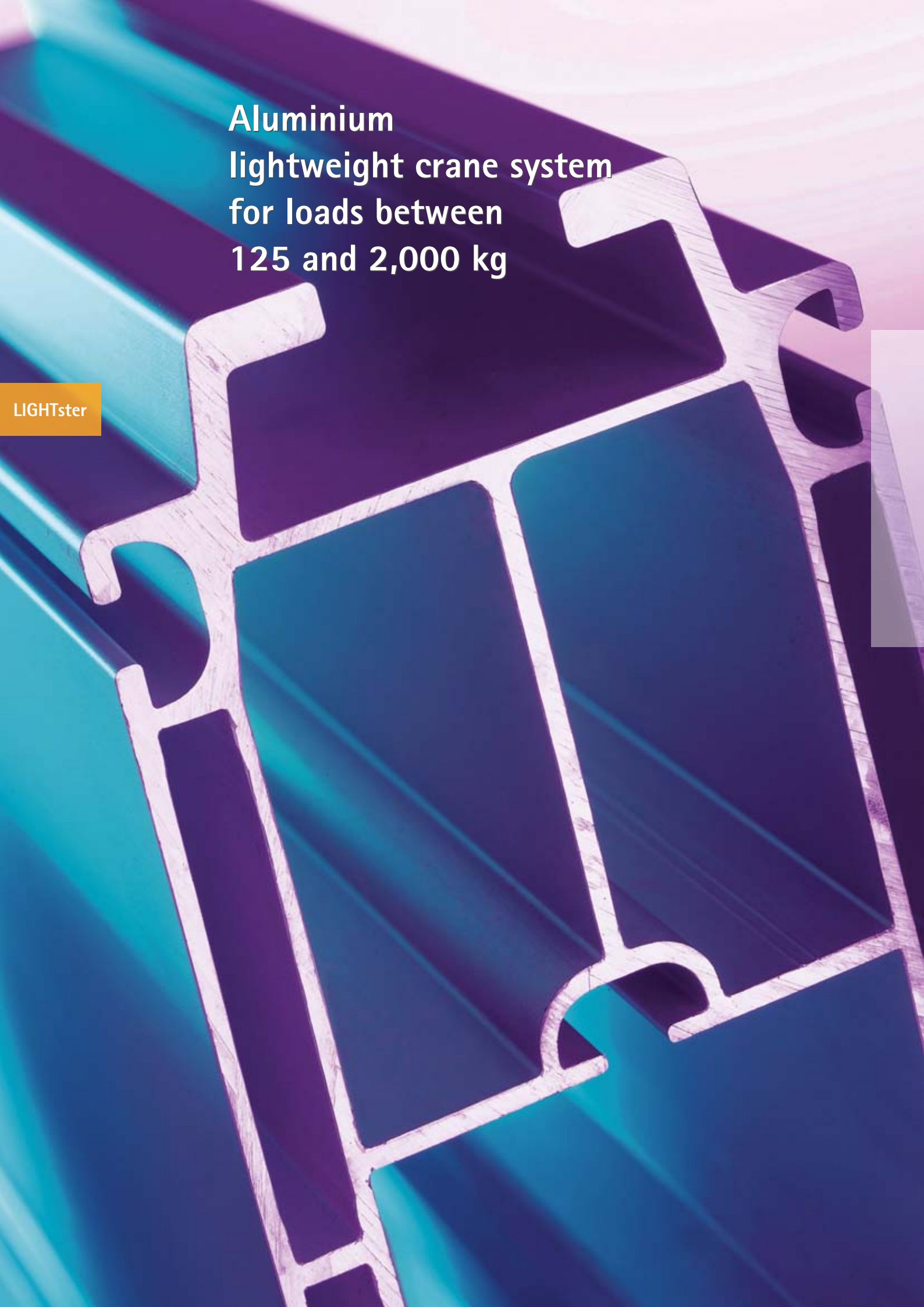
Look ahead!



B2

ENGLISH

LIGHTster



**Aluminium
lightweight crane system
for loads between
125 and 2,000 kg**

LIGHTster

LIGHTster



- **Low own-weight**

Can also be used in application areas capable of bearing only low static loads; ergonomic, time-saving assembly; low number of freely positionable securing points

- **High quality**

Non-corrosive material, diminished operating noises thanks to state-of-the-art nylon wheels, prolonged service life with low maintenance costs

- **Precise application**

Low-vibration load movement; exact flow of materials; simple, ergonomic handling even without motorisation



Advantage: High-performance handling system with a high load-bearing capacity and low running costs

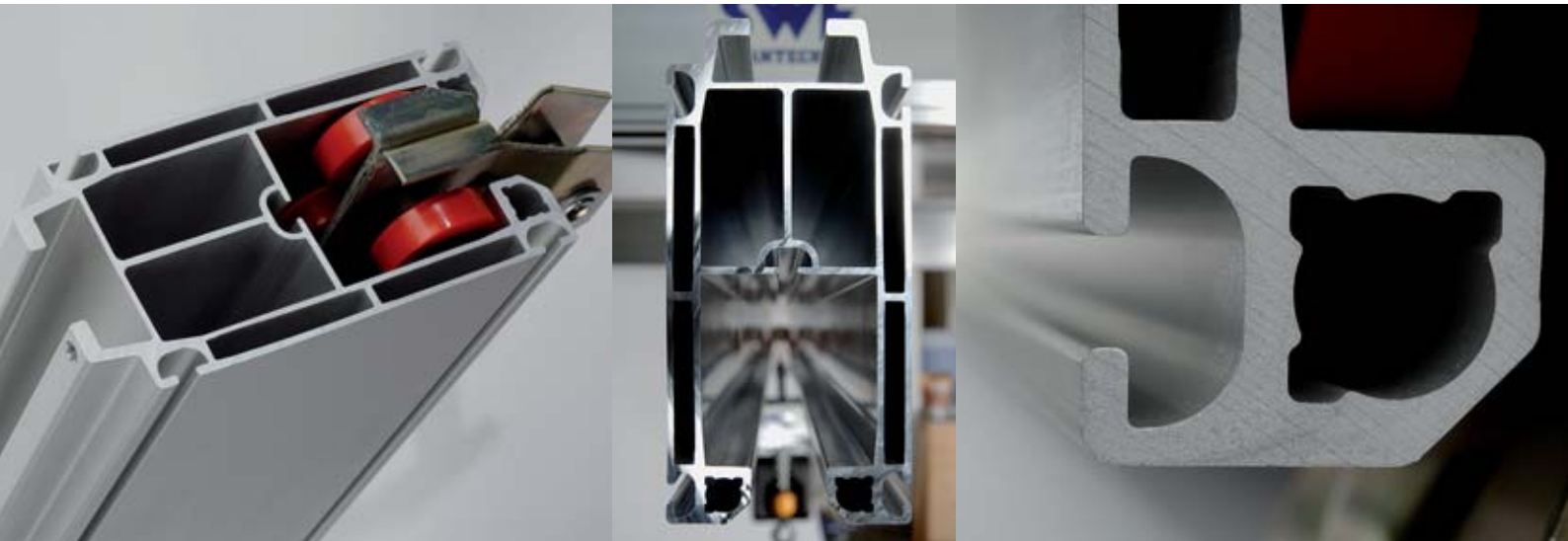
The simple solution for complex systems

With three different profiles, LIGHTster offers solutions for a variety of applications covering almost all requirements. LIGHTster enables the implementation of single-girder and double-girder solutions with both normal and with short headroom. The systems can be operated both manually or using electric drives. The narrow nylon wheels glide along the galvanised runner carriage easily and with minimum noise during operation.



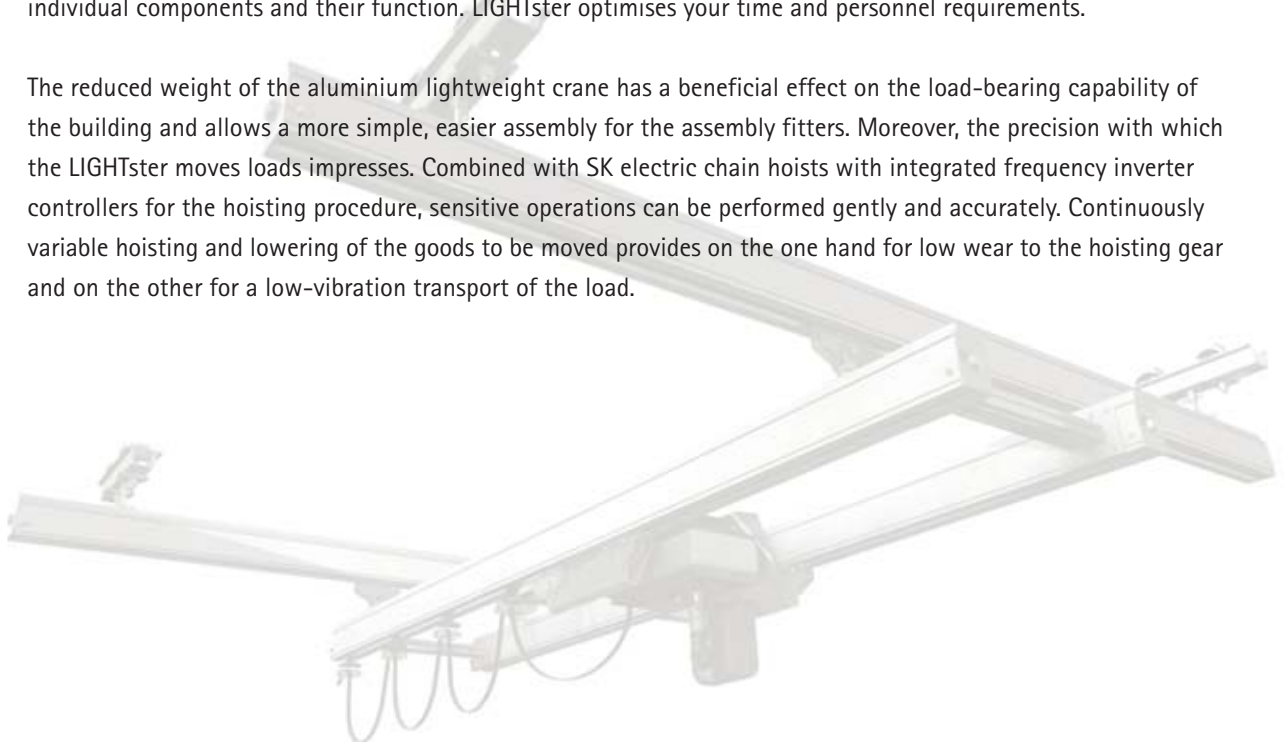


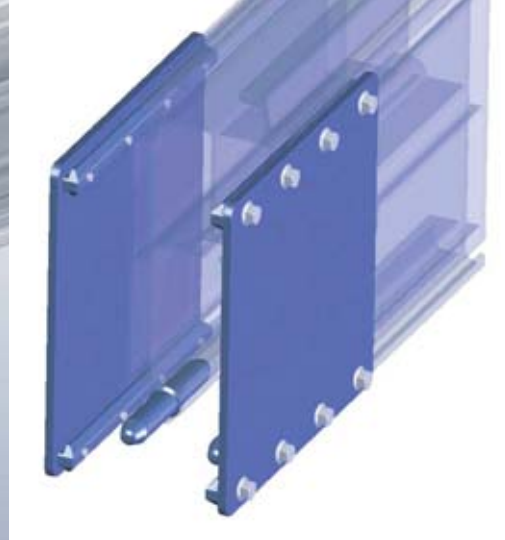
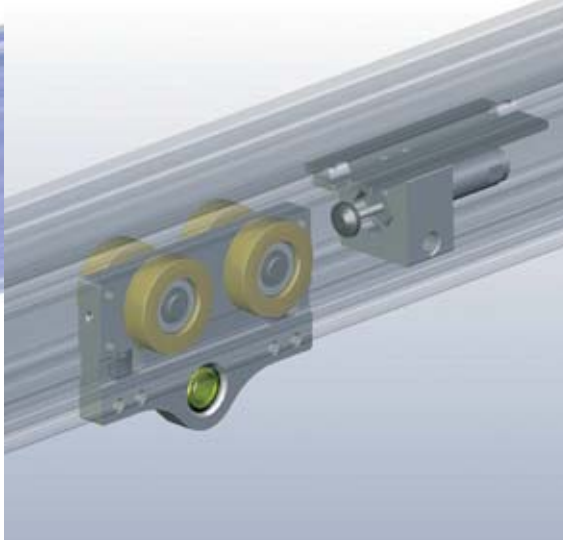
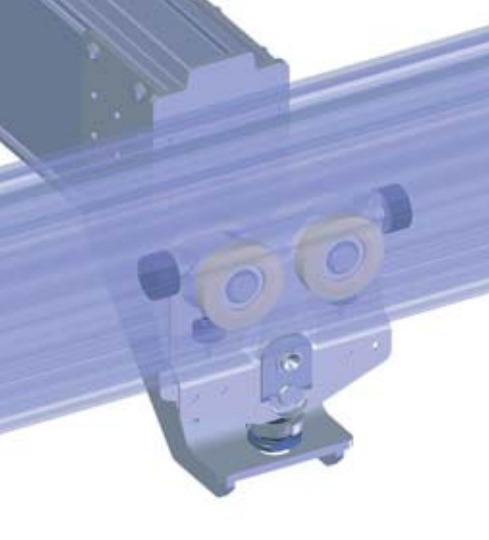
LIGHTster



Simple, high-load bearing profile connections and a low number of needed suspensions allow the crane to be assembled on-site economically and effectively. The pre-sorted parts supplied give you a quick overview of the individual components and their function. LIGHTster optimises your time and personnel requirements.

The reduced weight of the aluminium lightweight crane has a beneficial effect on the load-bearing capability of the building and allows a more simple, easier assembly for the assembly fitters. Moreover, the precision with which the LIGHTster moves loads impresses. Combined with SK electric chain hoists with integrated frequency inverter controllers for the hoisting procedure, sensitive operations can be performed gently and accurately. Continuously variable hoisting and lowering of the goods to be moved provides on the one hand for low wear to the hoisting gear and on the other for a low-vibration transport of the load.





LIGHTster makes the solution simple:

- Easy installation thanks to a simple connection system with a low own-weight capable of bearing high loads
- Flexible and individually adjustable lightweight crane systems
- Gentle lifting and positioning of loads, manually or with variable electric speed control
- Wide range of profiles available for loads of up to 2,000 kg
- Wide range of power supply modes available
- A wide range of spans can be realized
- We provide monorail tracks with curves, switchpoints and turntables as well as single-girder and double-girder solutions
- Compact solutions available for various headrooms
- We also provide customized equipment to suit your individual needs
- Highest quality standard and minimum production tolerances
- Low noise level
- Various installation options with numerous suspension types
- Easy to modify and/or extend
- Prolonged service life combined with low maintenance costs
- Available at a competitive price topped with low running costs



Look ahead!



WWW.RALF-GROSSE-SCHUTE.DE

ENGLISH

SWF Krantechnik GmbH

Postfach 31 04 10
D-68264 Mannheim
Germany

Boehringer Str. 4
D-68307 Mannheim
Germany

Phone +49(0)621.78990-0
Fax +49(0)621.78990-100

info@swfkrantechnik.com
www.swfkrantechnik.com

B